

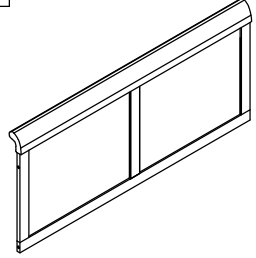
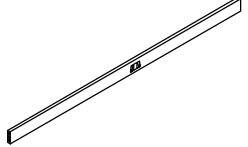


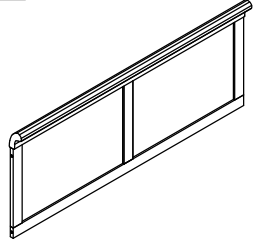
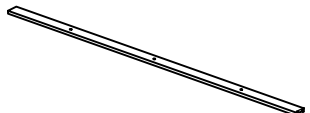
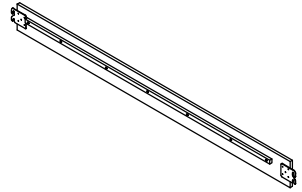

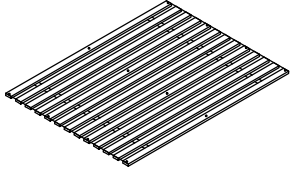


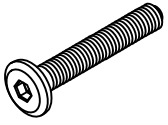

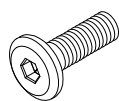



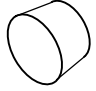

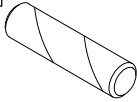
## SAFETY WARNINGS

1. Follow the information on the warning label appearing on the upper bunk end structure and on the carton... Do not remove warning label from bed.
2. Always use the recommended size mattress or mattress support, or both, to help prevent the likelihood of entrapment or falls.
3. Surface of mattress must be at least 5 inches below the upper edge of guard rails.
4. Do not allow horseplay on or under the bed and prohibit jumping on the bed.
5. Do not use substitute part. Contact the manufacturer or dealer for replacement part.
6. The use of water or sleep flotation mattresses is prohibited.
7. Keep these instruction for future reference.
8. Strangulation Hazard - Never attach or hang items to any part of the bunk bed that are not designed for use with the bed, for example, but not limited to hooks, belts and jump rores.

## PARTS LIST & ILLUSTRATION

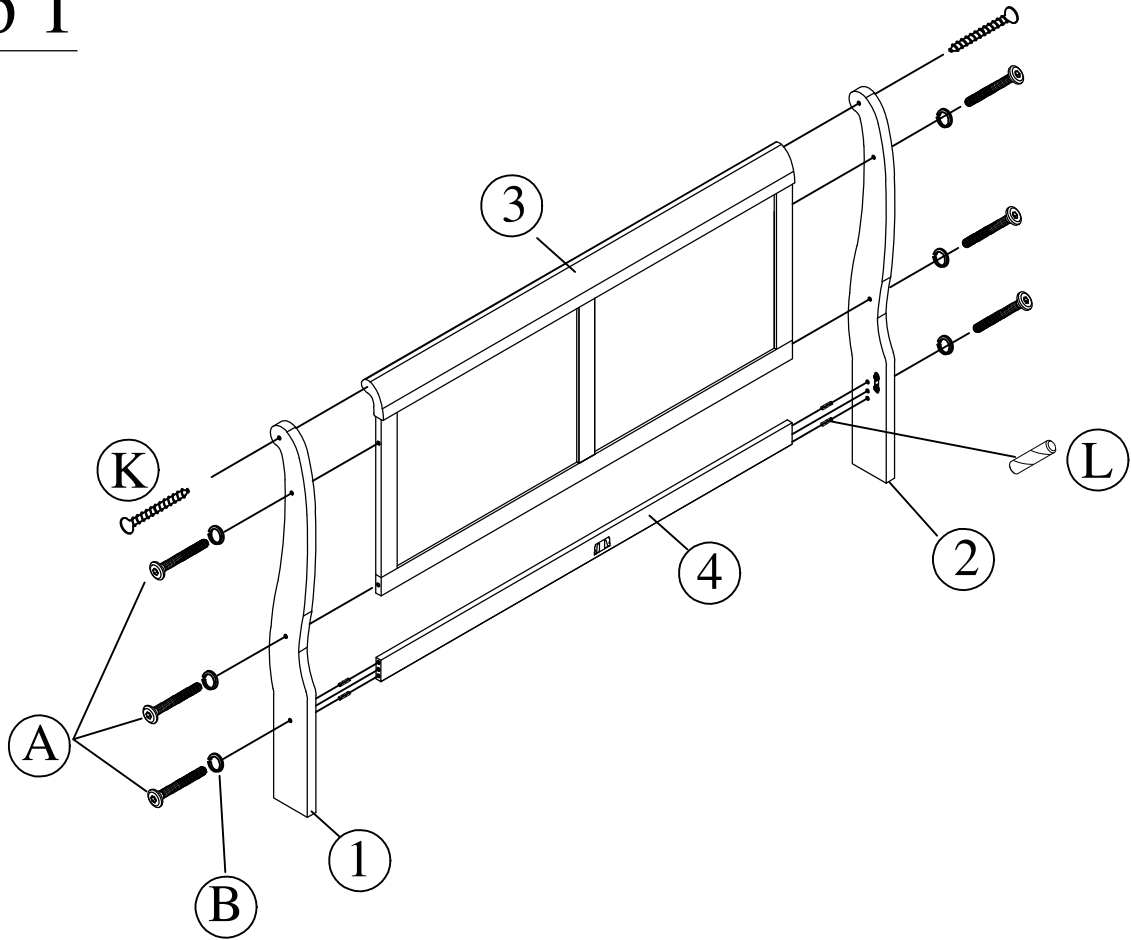
Box 1	1		2		3		4	
	5		6		7			
Box 2	8		9		10		11	

## HARDWARE & ILLUSTRATION

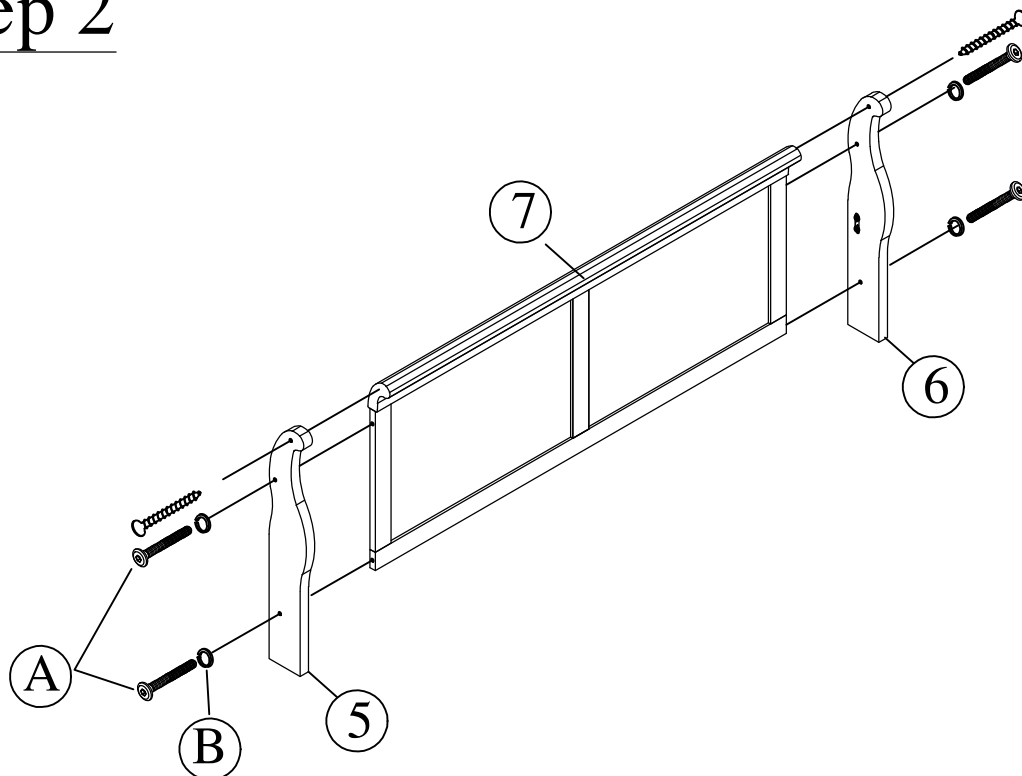
A		B		C		D		E	
	Ø13 x 1/4 x 35 mm Allen bolts 10 pcs		Ø1/4" Lock Washer 10 pcs		Ø5/16" x L20 mm Allen Head bolts 8pcs		Ø5/16" Flat Washer 8 pcs		Ø5/16" Lock Washer 8 pcs
F		I		K		L			
	Allen Key 1pc		Ø16mm Wooden Plugs 14Pcs		Ø4 x 30 mm Wood Screws 16 pcs		Ø8 x 30 mm Wood dower 4pcs		

RE-TIGHTEN ALL BOLTS FOR A SNUG FIT. DO NOT OVER TIGHTEN.

## Step 1

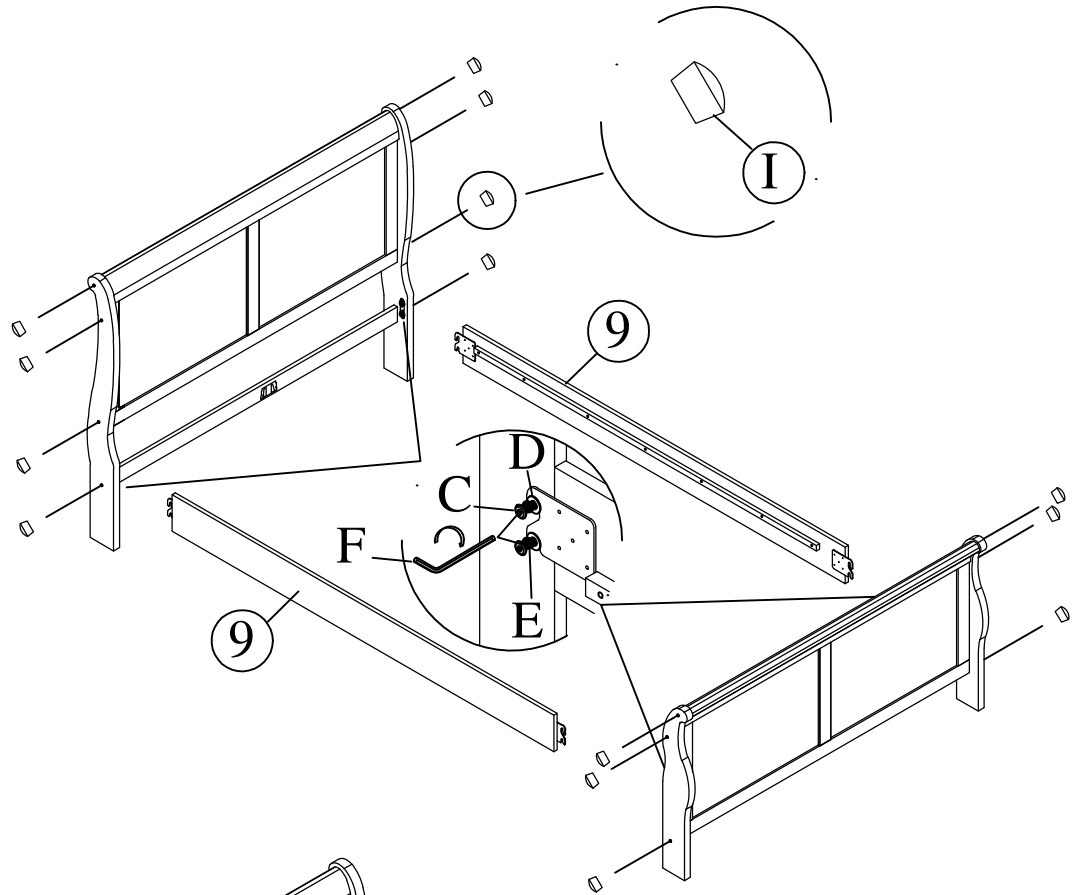


## Step 2

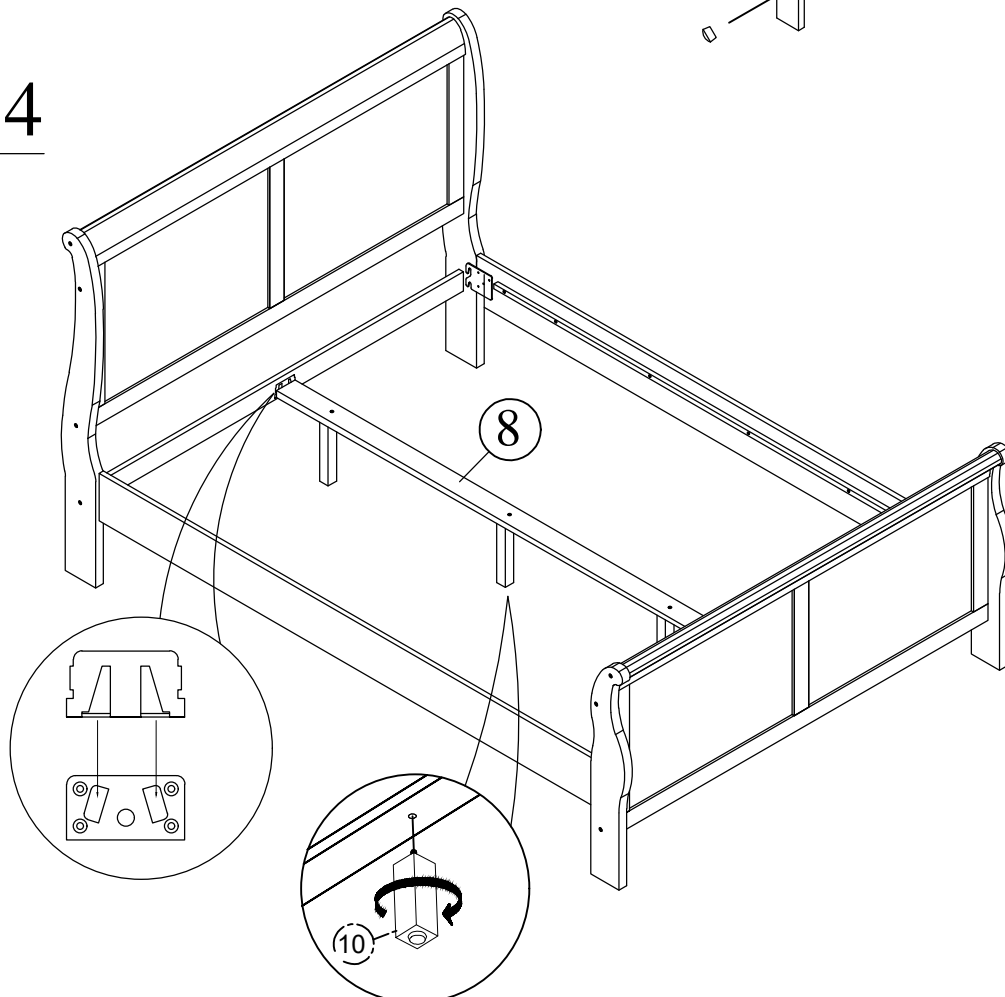


ASSEMBLY INSTRUCTION  
MODEL : #918-077/ 918-078 KING BED

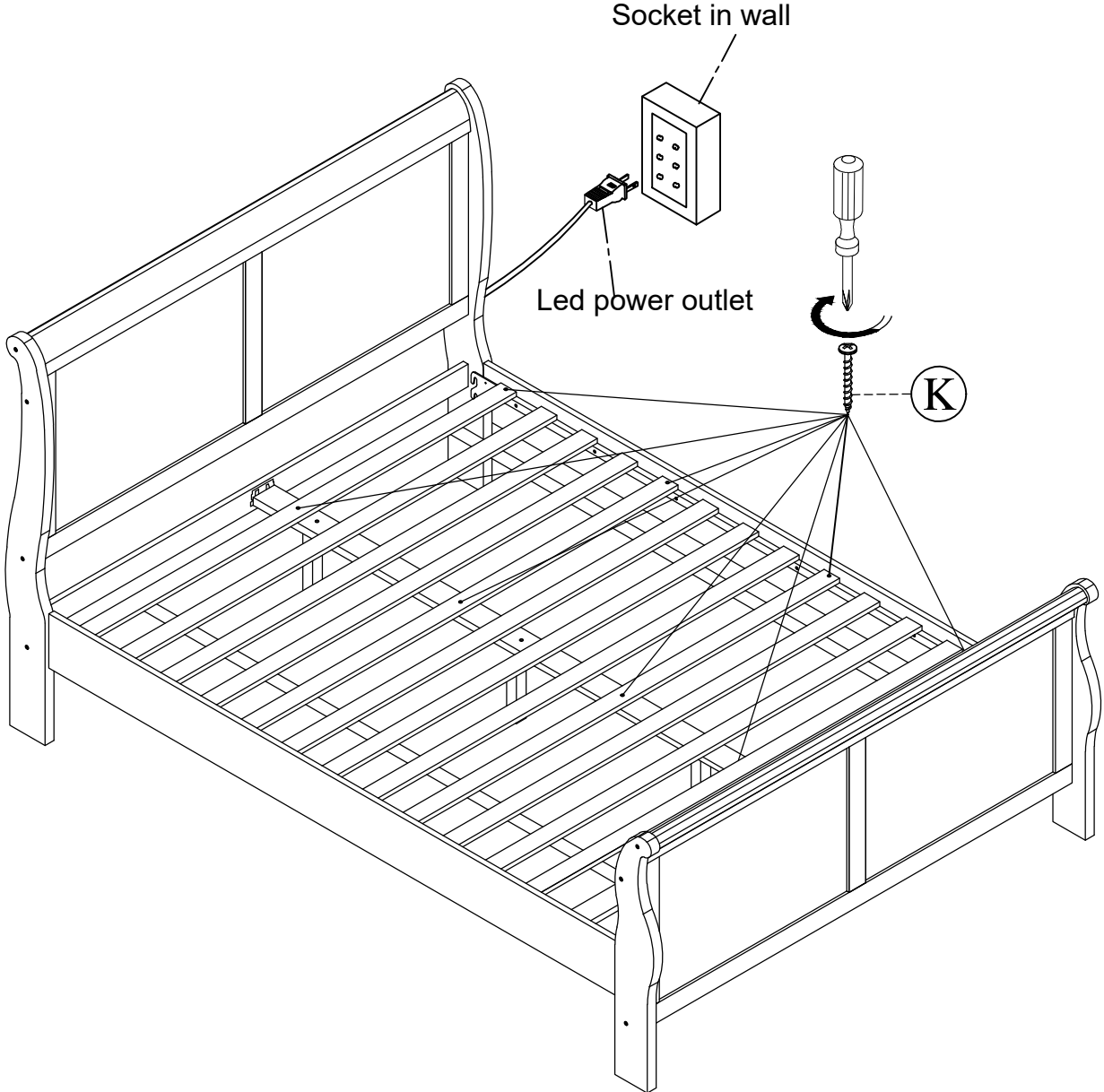
Step 3



Step 4



Step 5



ASSEMBLY IS NOW COMPLETED AND THANKS FOR YOUR PURCHASE